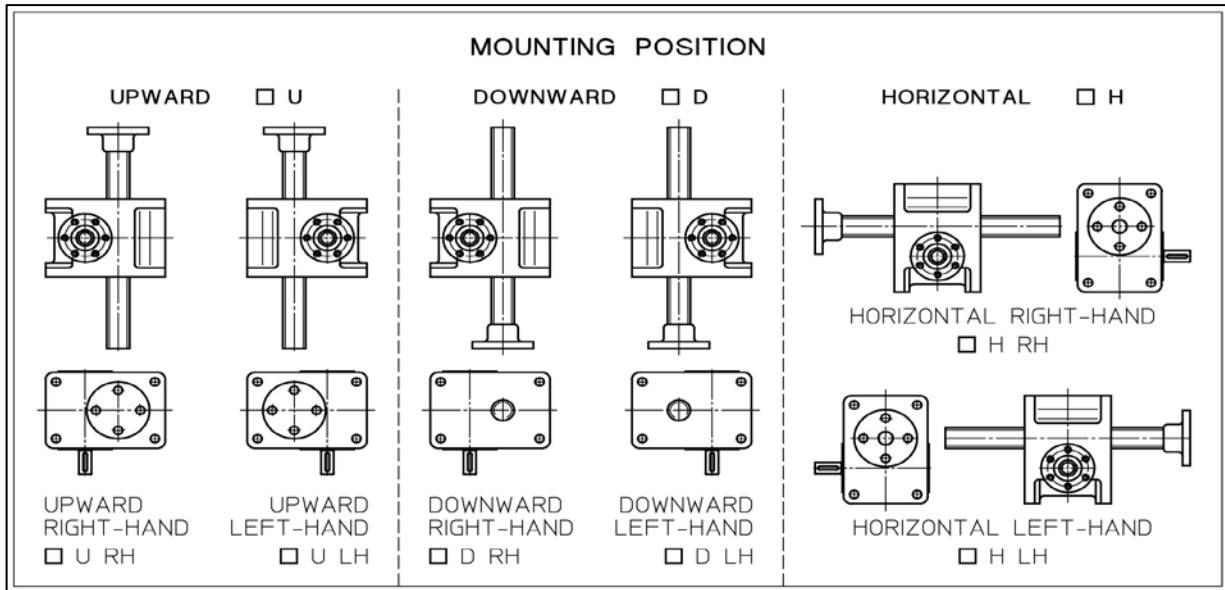
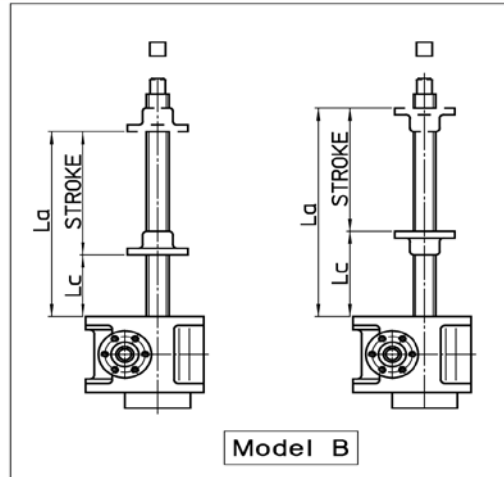
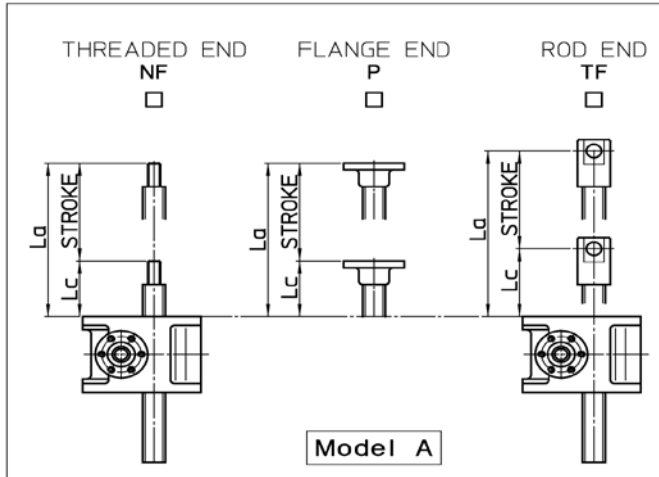


SCREW JACKS TEST SHEET



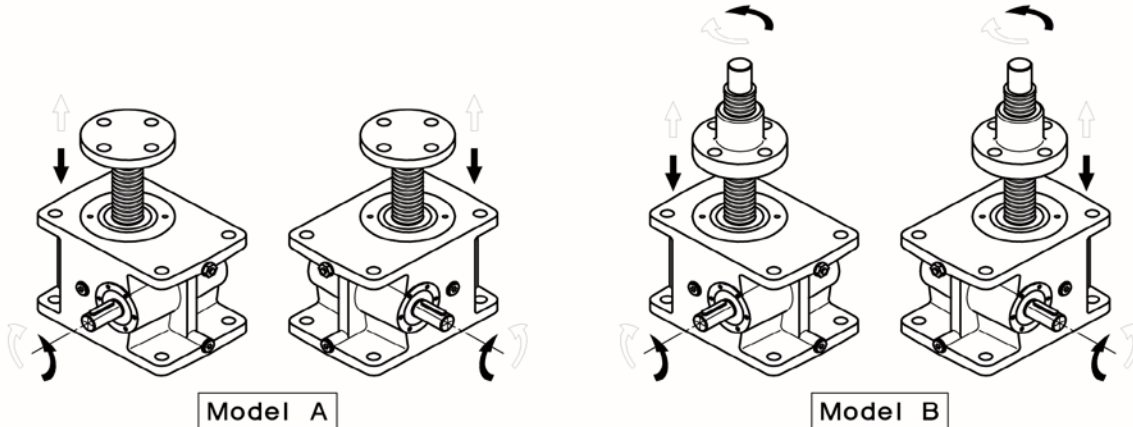
CODE: _____
 STROKE: _____
 ACME SCREW: _____ BALL SCREW: _____
 ACCESSORIES: _____



SCREW JACKS MAIN DIMENSIONS:

RETRACTED JACK LENGTH: Lc = _____ mm
 EXTENDED JACK LENGTH: La = _____ mm
 MAX. WORKING STROKE (La Lc): C = _____ mm

INPUT SHAFT ROTATION - SCREW OR NUT LIFTING DIRECTION



WARNING!

1. The values **Lc** (retracted jack length), **La** (extended jack length) and **C** (max. working stroke) are the extreme permissible values.
2. For a correct installation and commissioning of the screw jack see The Installation, Use and Maintenance Manual.
3. The following operations must be done **BEFORE** commissioning:
 - ensure that the breather plug is in the highest position respect to all other plugs;
 - lubricate acme or ball screw - nut;
 - connect the stroke limit device to the electric control circuit of the screw jack or lifting system;
 - check the lifting direction of the acme or ball screw (Model A) or nut (Model B).

NOTE: _____

WORMGEAR LUBRICANT: _____

SCREW - NUT LUBRICANT: _____

EQUIVALENT LUBRICANTS				
MARCA	LUBRICANT			
SHELL	TVX COMPOUND B	TIVELA OIL WB	RETINAX EPX 2	DARINA Grease R2
MOBIL	GLYCOYLE GREASE 00	GLYCOYLE 30	MOBILGREASE SPECIAL	MOBILTEMP 78
CASTROL	ALPHA GEL	-	MS 3; SPHEEROL LMM	BNS GREASE