



- MP Series
- LC Series
- SL Series
- KR Series



- RT Series
- RS Series
- BR Series
- RD Series
- AC & DC Motors



- Couplings
- Torque Limiters



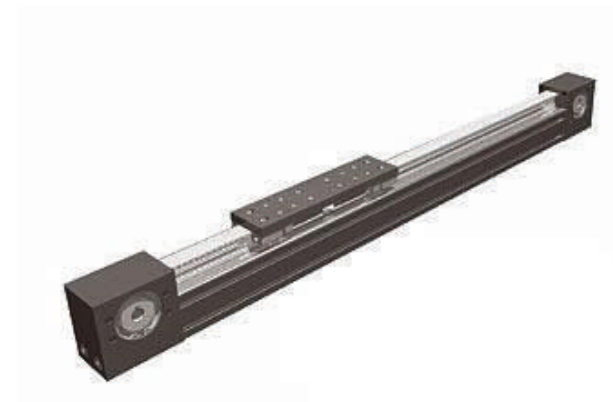
- Linear Actuators
- Linear Screw Jacks
- Linear Slides



12610 Galveston Road  
Webster (Houston), TX 77598  
Tel: (281) 480-8711  
Fax: (281) 480-8656

Visit our website at:  
[www.sipco-mls.com](http://www.sipco-mls.com)

DISTRIBUTED BY



# LIGHT Series





# LIGHT SERIES



SIPCO offers a complete product line of standard and precision components.

SIPCO has been satisfying customers since 1984. In that time, we have established a reputation for providing product services & Mechanical Linkage solutions to industries using motion control, power transmission, and hydraulic systems. Today, our products are in applications, including robotic, packaging, automotive, printing and material handling applications to name a few.

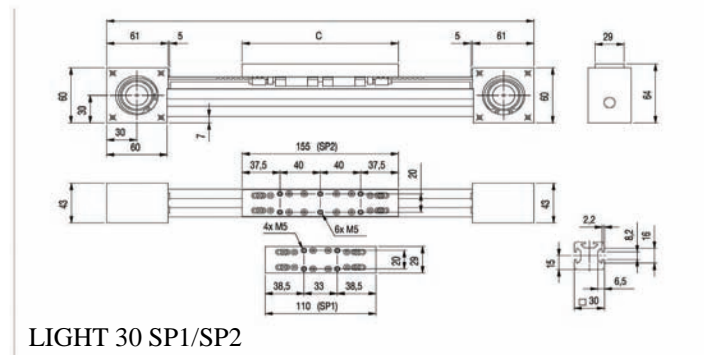
Through this experience, we are continually evolving, offering new innovative solutions for high-tech applications. When you have one source, you only have to place one order to fill your Mechanical Linkage needs.

The LIGHT series has been designed looking for the maximum simplicity and force building technique keeping high quality standards.

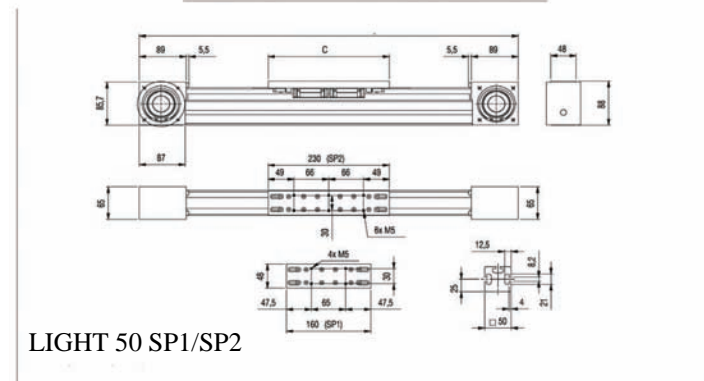
The LIGHT series is produced by use of self-bearing aluminum extruded profiles on which ball bearing guides, with high load capacity and retention cages, are mounted. The transmission of power is obtained by means of polyurethane transmission belts with steel inserts with AT pitch and parabolic profile.

The linear motion system described above offers:

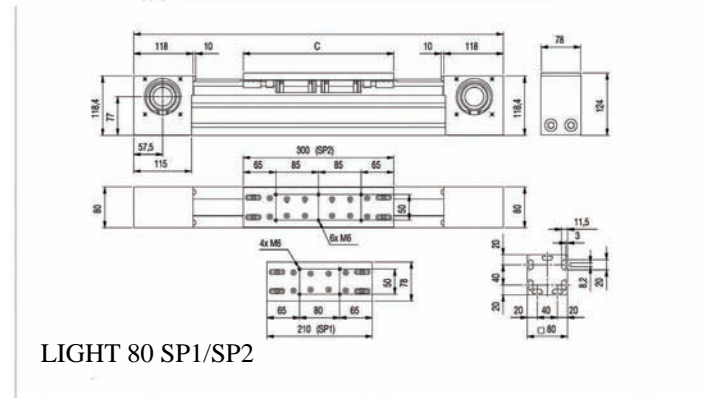
- High speed and acceleration
- High load capacity
- High permissible bending moments
- Low friction
- Long life
- Low noise
- Maintenance free



LIGHT 30 SP1/SP2



LIGHT 50 SP1/SP2



LIGHT 80 SP1/SP2

