



- MP Series
- LC Series
- SL Series
- KR Series



- RT Series
- RS Series
- BR Series
- RD Series
- AC & DC Motors



- Couplings
- Torque Limiters



- Linear Actuators
- Linear Screw Jacks
- Linear Slides



12610 Galveston Road
Webster (Houston), TX 77598
Tel: (281) 480-8711
Fax: (281) 480-8656

Visit our website at:
www.sipco-mls.com

DISTRIBUTED BY



SC Series





SC SERIES



SIPCO offers a complete product line of standard and precision components.

SIPCO has been satisfying customers since 1984.

In that time, we have established a reputation for providing product services & Mechanical Linkage solutions to industries using motion control, power transmission, and hydraulic systems. Today, our products are in applications, including robotic, packaging, automotive, printing and material handling applications to name a few.

Through this experience, we are continually evolving, offering new innovative solutions for high-tech applications. When you have one source, you only have to place one order to fill your Mechanical Linkage needs.

The SC series has been designed for use mainly as vertical axis, taking advantage of the fact that the drive is fitted directly on the carriage (eliminating movement of the cables) and with the extruded body as only mobile part.

SC SERIES BALL BEARING GUIDES

- Two ball bearing guides with high load capacity are mounted in two dedicated seats on the outer sides of the aluminum body.
- The carriage of the linear unit is assembled on 4 pre-loaded ball bearing blocks with plastic retention cages.
- Lubrication reservoirs (pockets) installed on the front of the ball bearing blocks supply the right amount of grease, thus promoting maintenance-free operation.

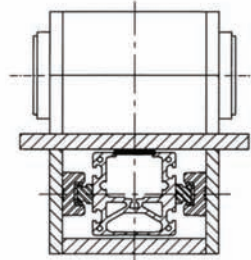
SC 65 SP

Body Dimensions 65x65mm

DRIVING BELT

The SC series use polyurethane transmission belts with steel inserts, AT pitch and parabolic profile. Optimization of the maximum belt width/body dimension ratio enables the following performance characteristics to be achieved.

- High speed
- Low noise
- Low wear

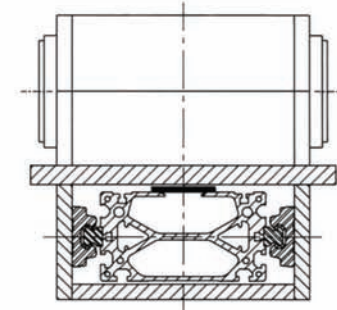


SC 130 SP

Body Dimensions 70x130mm

The linear motion system described above offers:

- High speed
- High load capacity
- High permissible bending moments
- Low friction
- Long life
- Low noise



SC 160 SP

Body Dimensions 90x160mm

STANDARD PROTECTIONS

Protection of the ball bearing guides. The blocks of the ball bearing guides are fitted with seals on both sides and where necessary, an additional scraper can be fitted for very dusty conditions.

